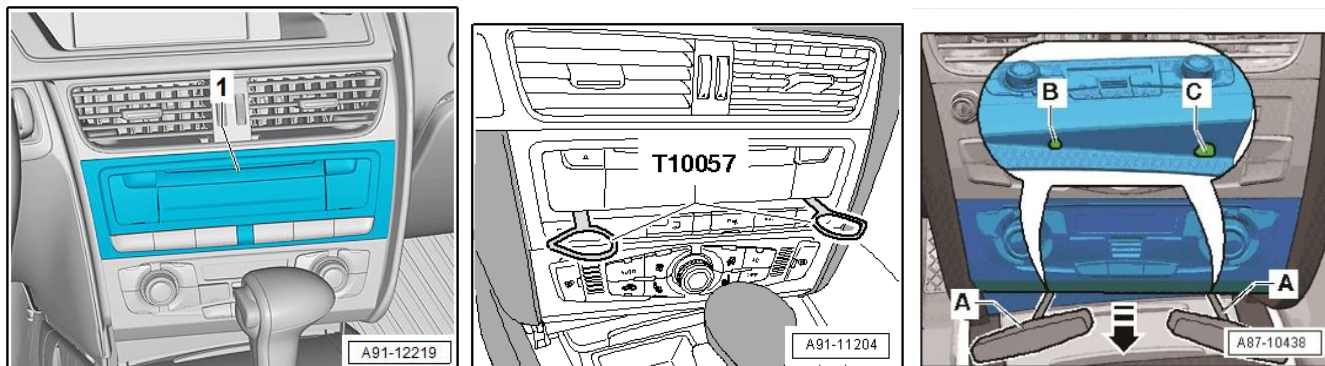


RSNAV.com CarPlay interface for 3G MMI (B8)

Version 1.0

Warning: Professional installation recommended. Mask the working trim surfaces properly, otherwise, it will be scratched easily while installing!

1. Installation



Using, VW radio removal tool, pull control unit 1 for infotainment electronics –J794–1- out of mounting frame, and using fork lift tool –A-, remove the climate control unit by pulling from holes –B, C-. Be careful when pulling out the climate unit as it is attached with four spring clips.

Release and unplug necessary connectors at the behind of the control unit

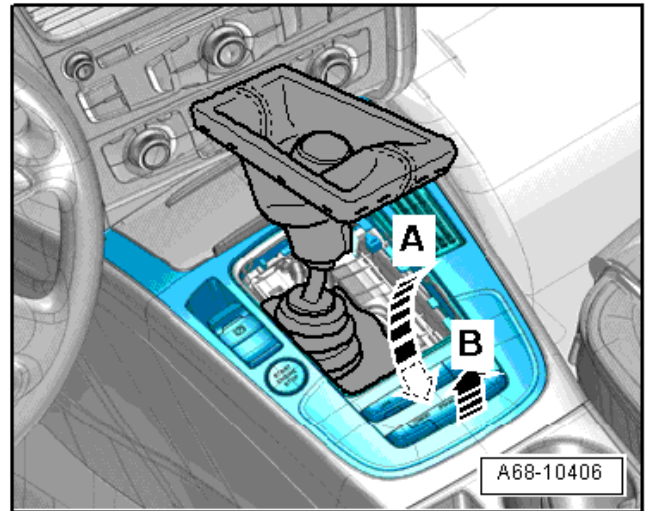
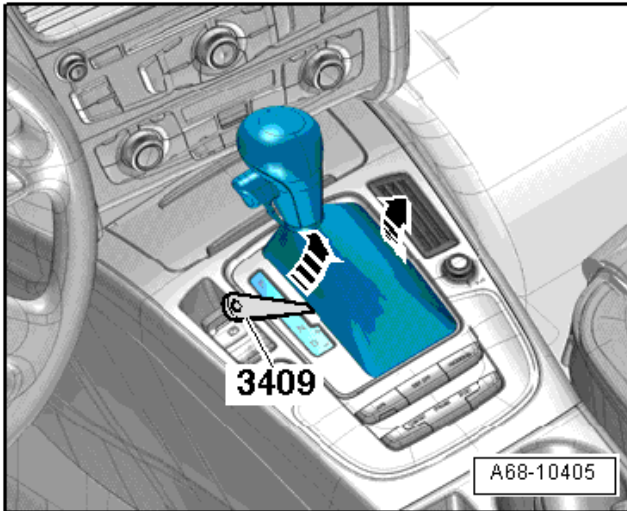
2.



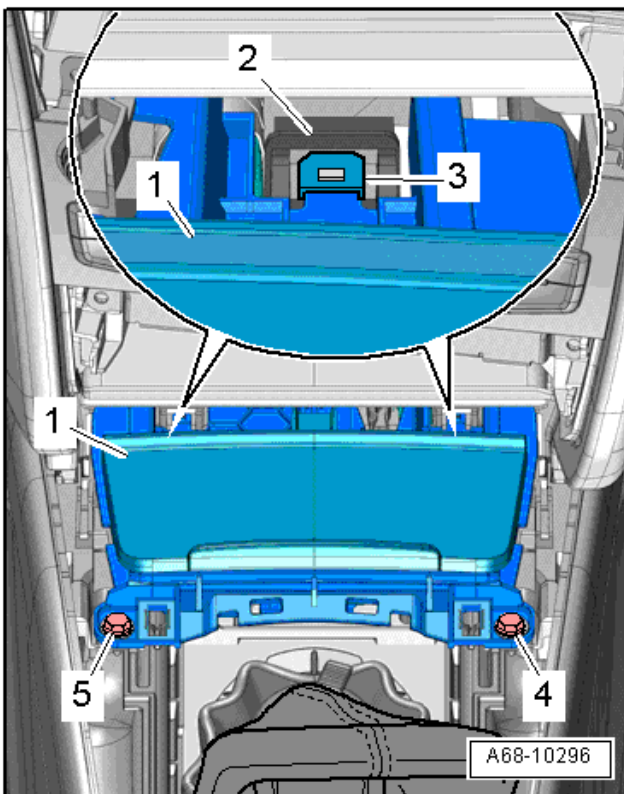
A. Connect the cable harness as described above. Place the interface behind the climate control on a flat surface and mount it firmly using cable ties or double side tapes.

RSNAV.com CarPlay interface for 3G MMI (B8)

- B. Routing USB port to cigarette socket in front: Remove the shifter using Trim Removal Wedge Pry (like 3409) and put your hand into the bottom of the center console like -A- and push up like -B- and remove console carefully unplugging connectors.



- C. Remove ashtray cover by removing two bolts -4, 5-, and lifting up latch -2- from -3-, and take out the cover -1- and remove the whole ashtray assembly. Unplug cigarette lighter socket.

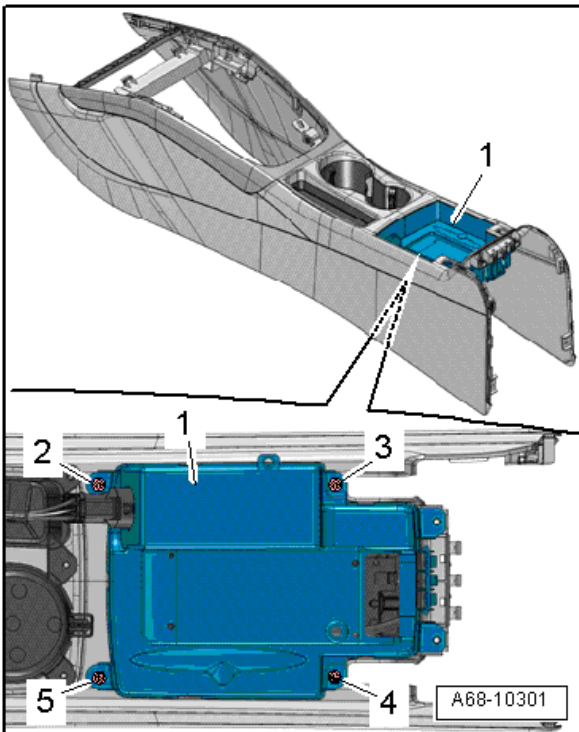
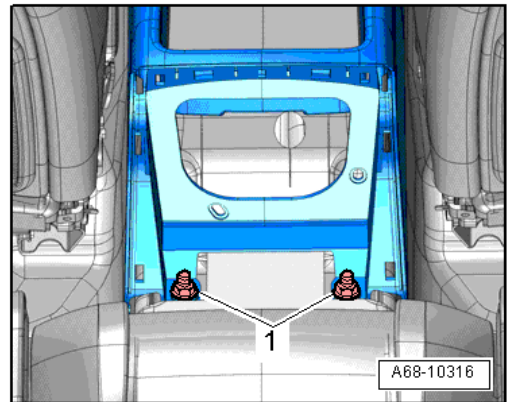
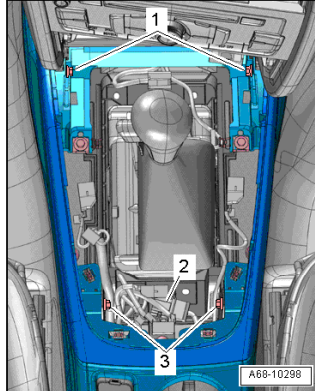
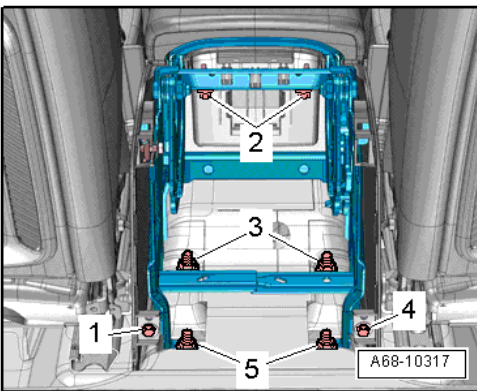
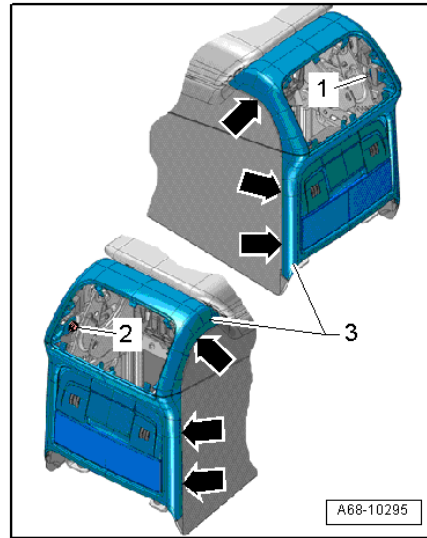
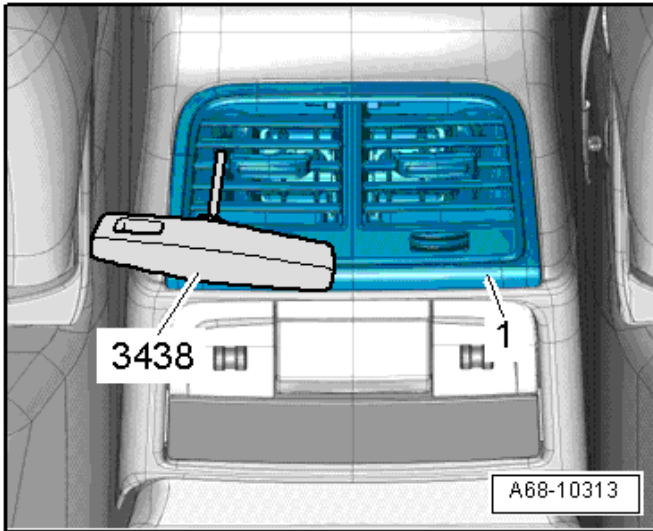


Mount the supplied USB extension to the cigarette lighter socket and run the USB wire to the main harness of the interface and connect it into the USB port in the harness.

- D. Reassemble everything back.

RSNAV.com CarPlay interface for 3G MMI (B8)

*Alternate USB route to the armrest. (removal of whole center console required): Follow the description and unscrew the entire bolts (shown in pinks) necessary. Remove the center console trim to have access to the armrest.



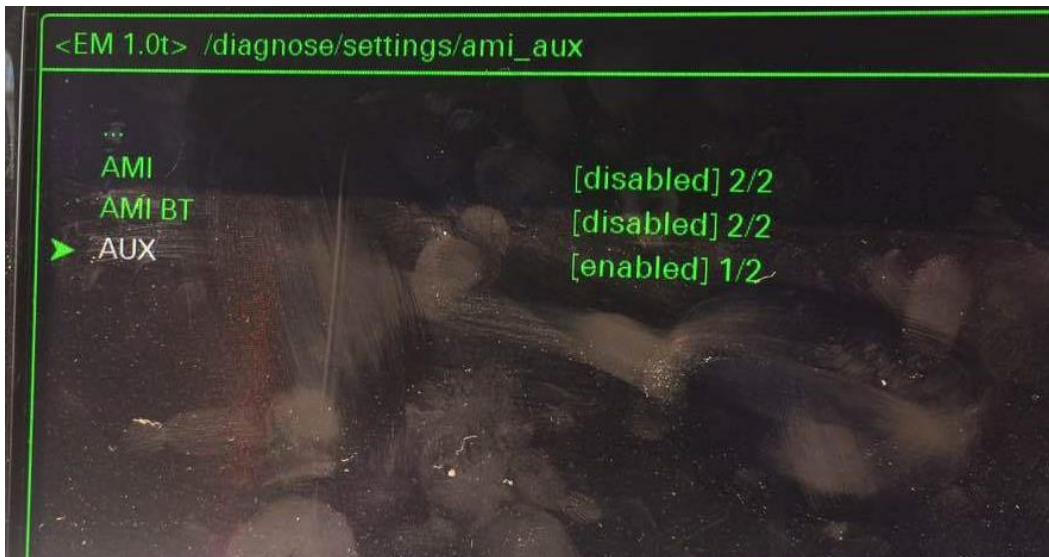
Replace 12v socket in the armrest or drill a identical whole to mount the USB socket.

RSNAV.com CarPlay interface for 3G MMI (B8)

E. Enabling Aux input in MMI for the CarPlay interface

1. Preparation: Enable Green menu using VAGCOM
Connect with module 5F – Control Head.
Choose procedure 10 – Adaptation.
Choose Perquisite Channel 6.
Read stored value. By default it should be 0.
Change value to 1 and save it.
Read stored value. Now it should be 1.
Exit

Procedure:



Audi MMI 3G AUX activation procedure

1. Turn key into II position and wait for the MMI 3G system to start. You can also use keyless buttons.
2. Press and hold buttons MENU(or SETUP) and CAR.
3. After couple of seconds hidden green menu will appear. You can now release the buttons.
4. Navigate to diagnose → settings → AMI/AUX.
5. Change the value of “AUX” “disabled” to “enabled” preserving other options.
6. Press RETURN and CAR buttons at the same time to exit hidden green menu.
7. Restart the MMI

Audi MMI force restart procedure – 3G, 3G+



Locate button:

- A. MENU(or SETUP) button
- B. MMI Center knob
- C. Upper-right soft button

Press and hold those buttons at the same time.

After two seconds release buttons. Audi MMI screen will go black for few seconds and system will reboot.

RSNAV.com CarPlay interface for 3G MMI (B8)

1. MMI buttons features

MMI center console button descriptions:



1. Volume key: short press to mute/unmute, tilt left or right for media track control(prev. or next) or use prev. next buttons below if you have those.
2. Menu key: short press back to CarPlay interface
3. Return key: Short press to return to the previous menu
4. MMI Knob: Browsing screen menu as original mmi does
5. Four-way joystick: Browsing screen menu, press to 'confirm' (ignore if you don't have joystick)
6. NAV key: short press toggle to switch between original MMI interface and CarPlay interface
7. Media key: Audio source access for original MMI. Must switch into Auxiliary input for CarPlay Interface Enabling 'Aux' input described in installation manual



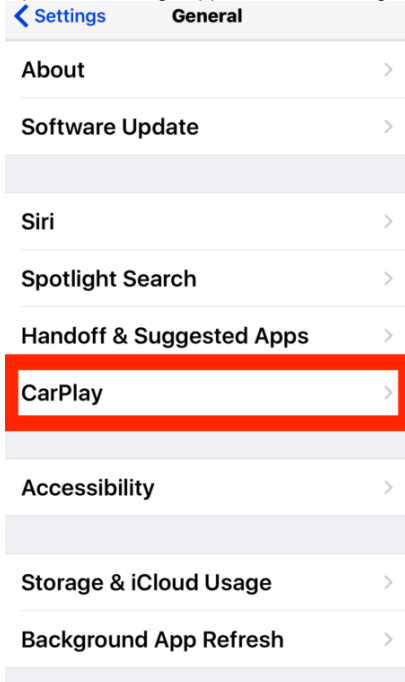
Steering Wheel button descriptions :

8. Voice key: short press for MMI original voice recognition, long press for 3 seconds or more for Apple Siri command
9. Volume key: Volume control as original MMI does
10. NAV key: long press for 3 seconds or more to switch to the device's main setting menu (for additional features and firmware update)
11. Browsing scroll: scroll up and down to select screen menu items, press to execute the selection. .

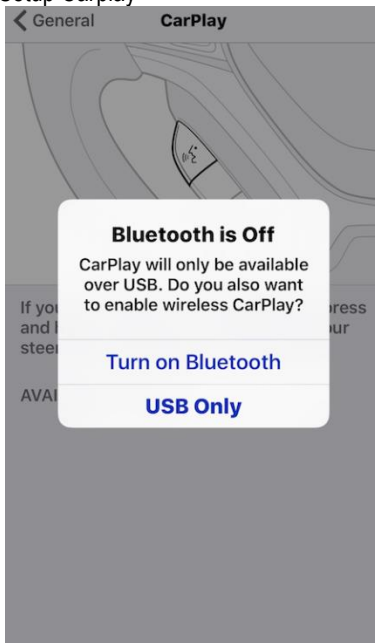
RSNAV.com CarPlay interface for 3G MMI (B8)

2. Setting your iPhone

1. Turn on the car if you haven't done so already
2. Open the Settings app on iPhone and go to "General" and then to "CarPlay"



3. Setup Carplay



4. You may have two options to setup CarPlay: Choose **USB only**.
5. Connect the iPhone to the USB port in the car to begin the CarPlay setup
6. Setting up CarPlay: Once the CarPlay interface has been detected, select it from the list of available cars and the in-dash display should display CarPlay interface setup